

**PRODUCT DATA SHEET**

PAGE 1/2

Stainless steel energy bollard

Item no. MS62471086C

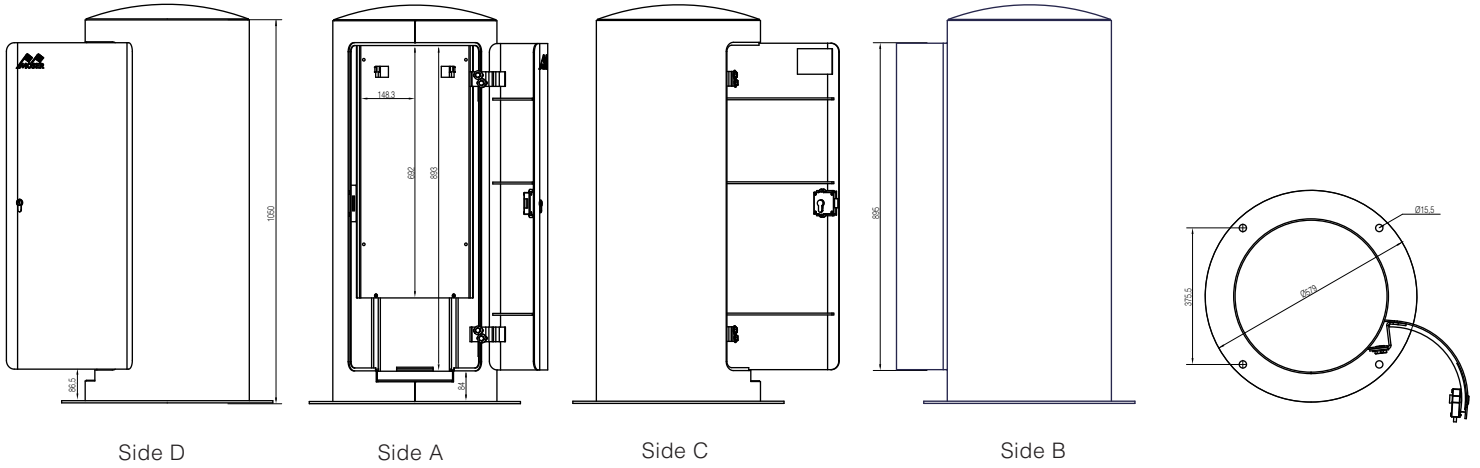
**TECHNICAL DATA**

Dimensions:	450x1050mm (DxH)
Ingress protection:	IP44
Protection class:	I
Material:	V2A stainless steel (1.4301)
Color:	anthracite
Equipment:	1 x Double data socket 2xRJ45 Cat.6 4 x Protective contact socket 16A 2P+E 230V 2 x CEE 16A 5P 400V 2 x CEE 32A 5P 400V 4 x MCB 16A C 1P 2 x MCB 16A C 3P 2 x MCB 32A C 3P 2 x RCD 63/0,03A 4P
max. back-up fuse:	63A
Power supply terminals:	5x25qmm
Cable inlet:	1 x Cable gland M40, 2 x Cable gland M16
Weight:	approx. 73kg



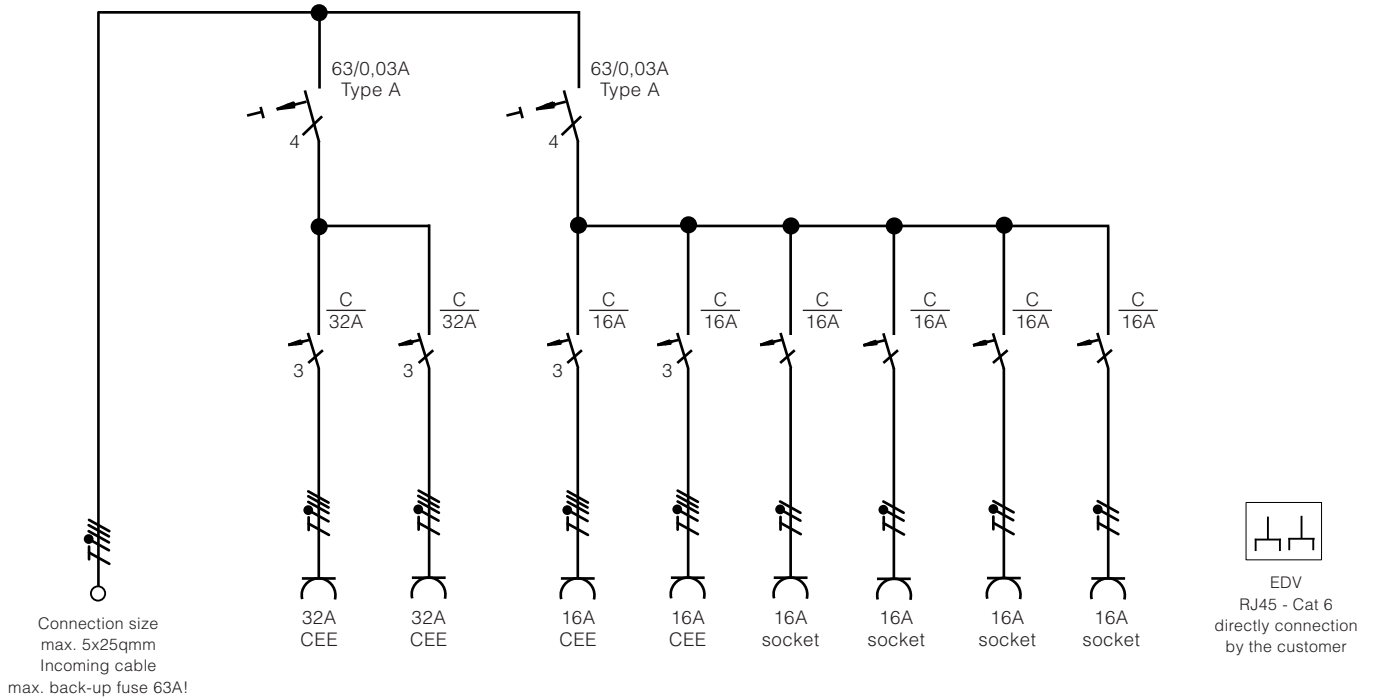
PRODUCT DATA SHEET
 PAGE 2/2

DIMENSIONS



All dimensions in millimeters.

WIRING DIAGRAM



Modifications and errors excepted. No liability accepted for printing errors.
 Our terms of delivery and payment apply.