

**PRODUCT DATA SHEET**

PAGE 1/2

Stainless steel energy bollard

Item no. MS62350114C

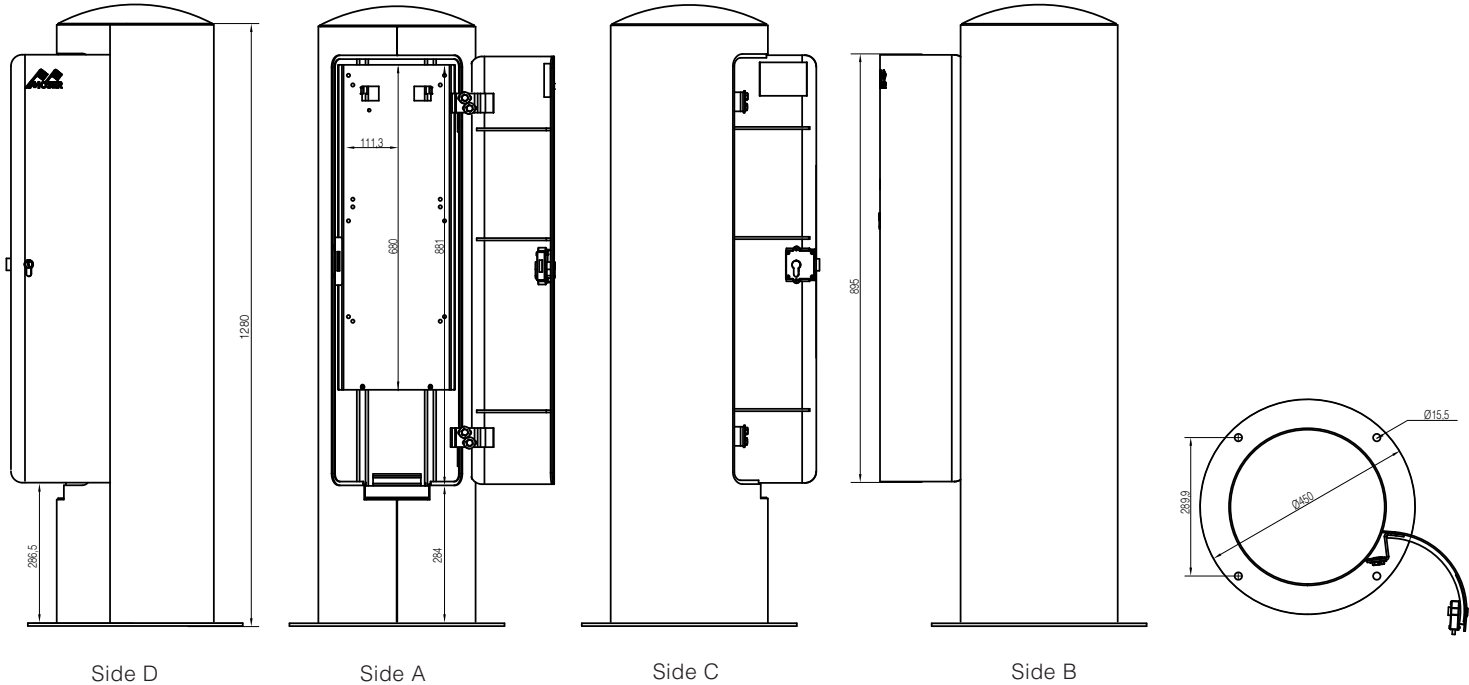
**TECHNICAL DATA**

Dimensions:	330x1280mm (DxH)
Ingress protection:	IP44
Protection class:	I
Material:	V2A stainless steel (1.4301)
Color:	anthracite
Equipment:	4 x CEE 16A 3P 230V 4 x single phase energy meter 4 x RCBO 16/0,03A C 1P+N
max. back-up fuse:	32A
Power supply terminals:	5x10qmm
Cable inlet:	1 x Cable gland M32
Weight:	approx. 55kg



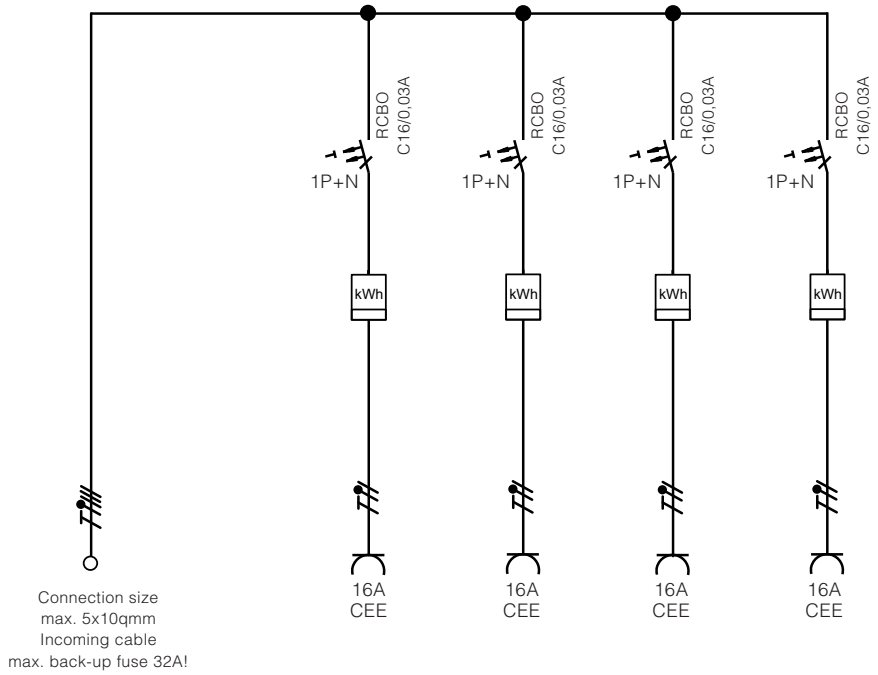
PRODUCT DATA SHEET
 PAGE 2/2

DIMENSIONS



All dimensions in millimeters.

WIRING DIAGRAM



Modifications and errors excepted. No liability accepted for printing errors.
 Our terms of delivery and payment apply.