

**PRODUCT DATA SHEET**

PAGE 1/2

Stainless steel standing column

Item no. MS62302032

**TECHNICAL DATA**

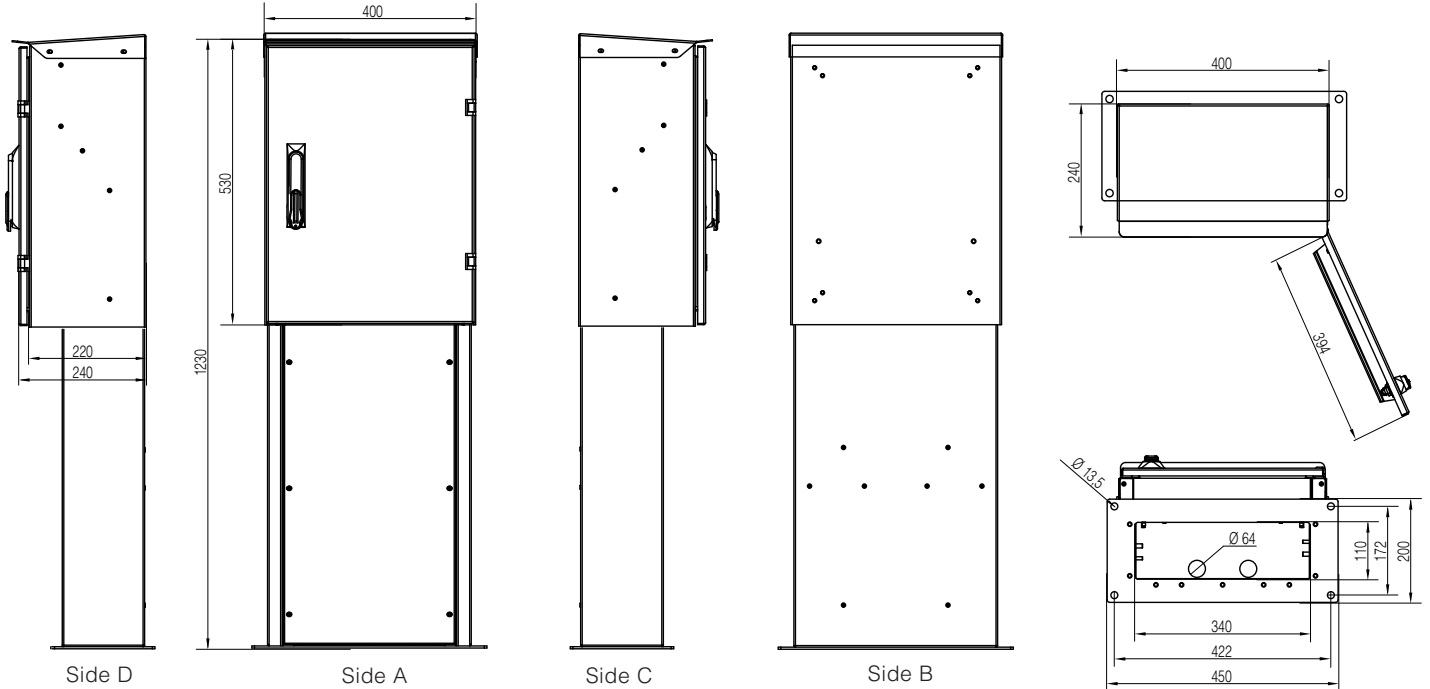
Dimensions:	400x240x1230mm (WxDxH)
Ingress protection:	IP44
Protection class:	I
Material:	V2A stainless steel (1.4301)
Color:	Visible sides polished (K240)
Equipment:	2 x Protective contact socket 16A 2P+E 230V 2 x CEE 16A 5P 400V 2 x MCB 16A C 1P 2 x MCB 16A C 3P 1 x RCD 63/0,03A 4P
max. back-up fuse:	32A
Cable inlet:	2 x Borehole Ø 64mm
Power supply terminals:	5x25qmm
Weight:	approx. 50kg



## PRODUCT DATA SHEET

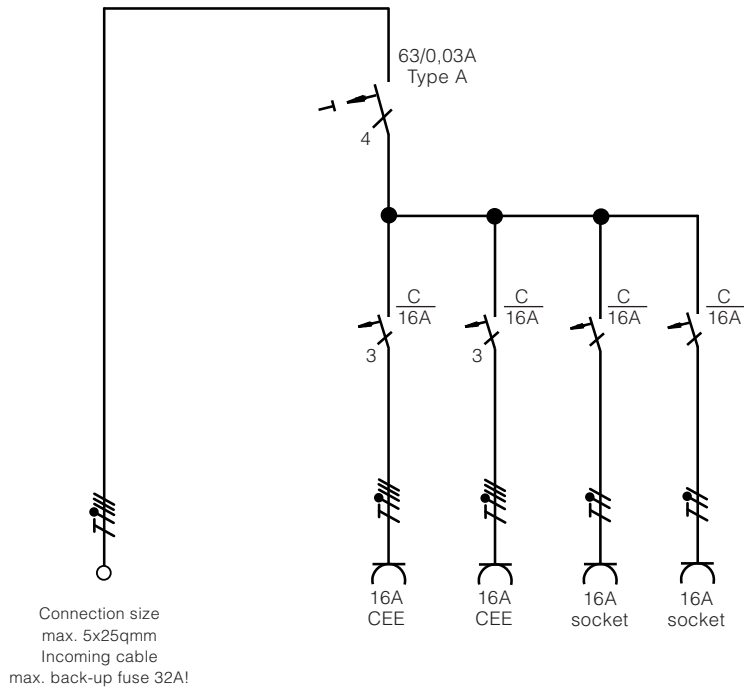
PAGE 2/2

### DIMENSIONS



All dimensions in millimeters.

### WIRING DIAGRAM



Modifications and errors excepted. No liability accepted for printing errors.  
Our terms of delivery and payment apply.