

**PRODUCT DATA SHEET**

PAGE 1/2

Stainless steel wall mounting distributor

Item no. MS62005004

**TECHNICAL DATA**

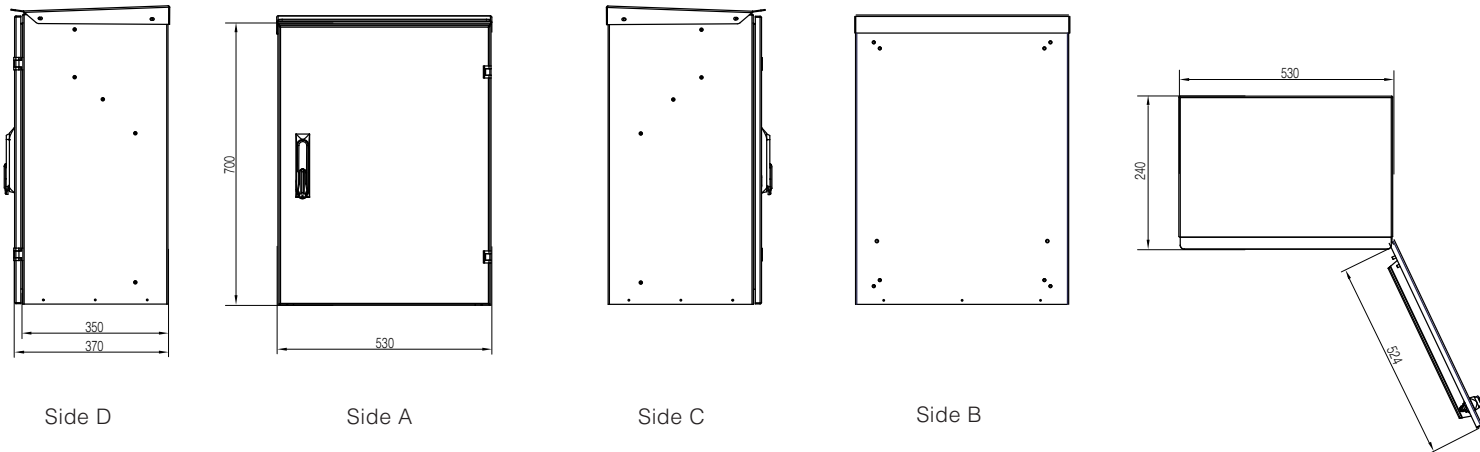
Dimensions:	530x370x700mm (WxDxH)
Ingress protection:	IP44
Protection class:	I
Material:	V2A stainless steel (1.4301)
Color:	Visible sides polished (K240)
Equipment:	2 x Protective contact socket 16A 2P+E 230V 2 x CEE 16A 5P 400V 1 x CEE 32A 5P 400V 1 x CEE 63A 5P 400V 2 x MCB 16A C 1P 2 x MCB 16A C 1P 1 x MCB 16A C 3P 1 x MCB 32A C 3P 2 x MCB 63A C 3P (back-up for RCD) 2 x RCD 63/0,03A 4P
max. back-up fuse:	100A
Cable inlet:	2 x M32 below
Power supply terminals:	5x35qmm
Weight:	approx. 29kg



PRODUCT DATA SHEET

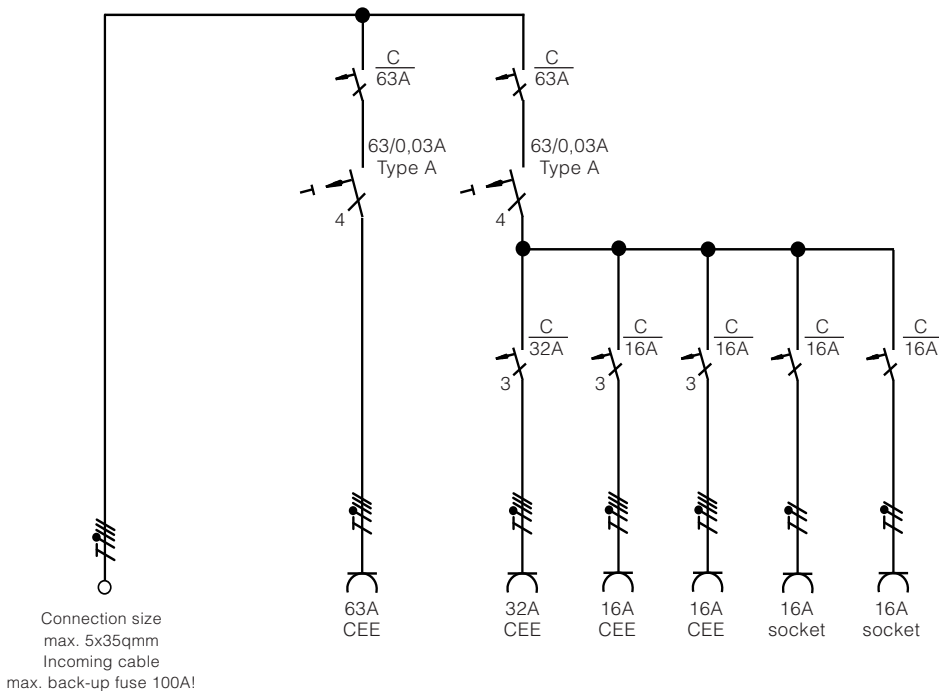
PAGE 2/2

DIMENSIONS



All dimensions in millimeters.

WIRING DIAGRAM



Modifications and errors excepted. No liability accepted for printing errors.
Our terms of delivery and payment apply.