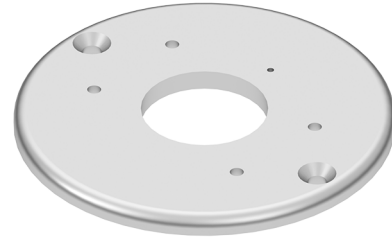




PRODUCT DATA SHEET

PAGE 1/1

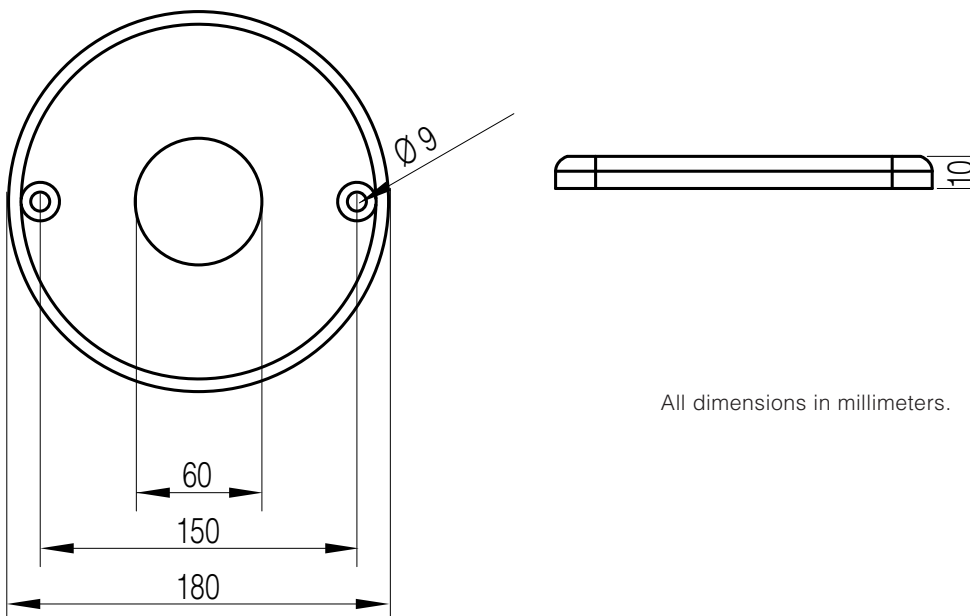
MSR12 Base plate
Item no. MM10080003



TECHNICAL DATA

Dimensions:	180x10mm (DxH)
Material:	Aluminum, anodized E6/EV1
Color:	silver
Mounting material:	4 x Screw M5x25 A2 (for fastening the base plate to the column profile) 4 x Chipboard screw M5x40 A2 4 x Dowel S6
Weight:	approx. 0,6kg

DIMENSIONS



All dimensions in millimeters.