



## PRODUCT DATA SHEET

PAGE 1/1

MSR12 Ground element

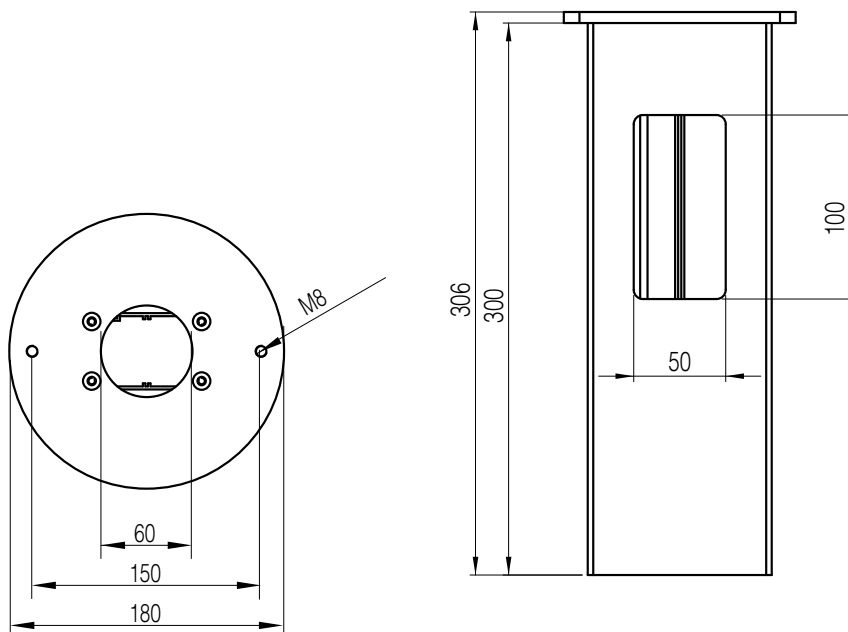
Item no. MM10000002



### TECHNICAL DATA

Dimensions:	120x300mm (WxDxH)
Material:	Aluminum, anodized E6/EV1
Color:	silber
Mounting material:	2 x Countersunk screw M8x20 A2 4 x Countersunk screw M5x25 A2
Weight:	approx. 2,3kg

### DIMENSIONS



All dimensions in millimeters.