



MOSER SYSTEMELEKTRIK GMBH

CONNECTION COLUMNS ENERGY BOLLARDS
UNDERGROUND DISTRIBUTORS STANDING CABINETS
KERNERSTRASSE 15 74405 GAILDORF GERMANY

PRODUCT DATA SHEET

PAGE 1/2

MS290 Electrical connection column

Item no. MG80805454



TECHNICAL DATA

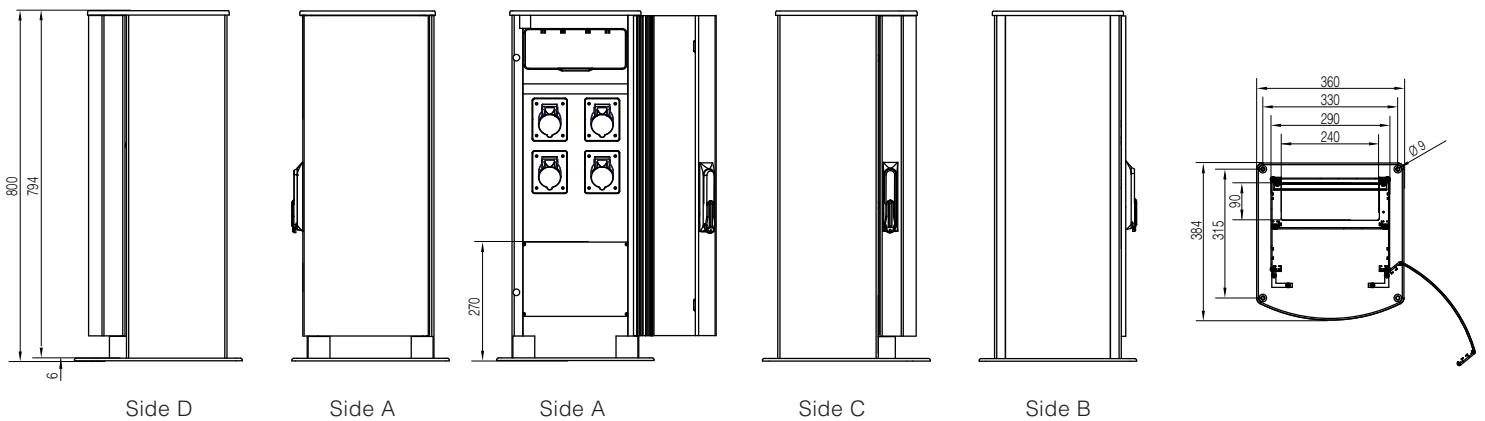
Dimensions:	290x314x800mm (WxDxH)
Ingress protection:	IP44
Protection class:	I
Material:	Aluminum, anodized E6/EV1
Color:	silver
Equipment:	4 x CEE 16A 3P 230V 4 x Single phase energy meter 4 x RCD/LS 16/0,03A C 1P+N
Other installations:	Heating device 20W 120-240V
max. back-up fuse:	32A
Power supply terminals:	5x16qmm
Light module:	LED Orientation light - with inserted LED light strip, water resistant shed - LED driver 24V - pre-wired on connection clamps 2x2x2,5qmm
Weight:	approx. 19kg



PRODUCT DATA SHEET

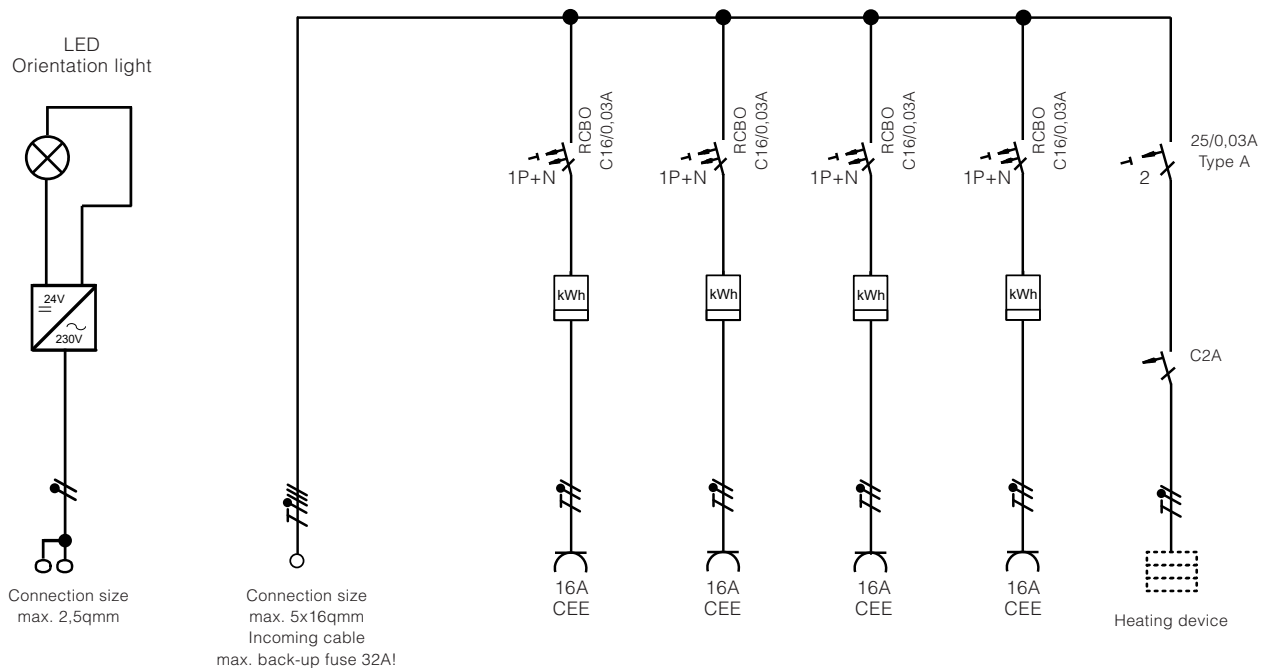
PAGE 2/2

DIMENSIONS



All dimensions in millimeters.

WIRING DIAGRAM



Modifications and errors excepted. No liability accepted for printing errors.
Our terms of delivery and payment apply.