

**PRODUCT DATA SHEET**

PAGE 1/2

MS290 Electrical connection column

Item no. MG41407325C

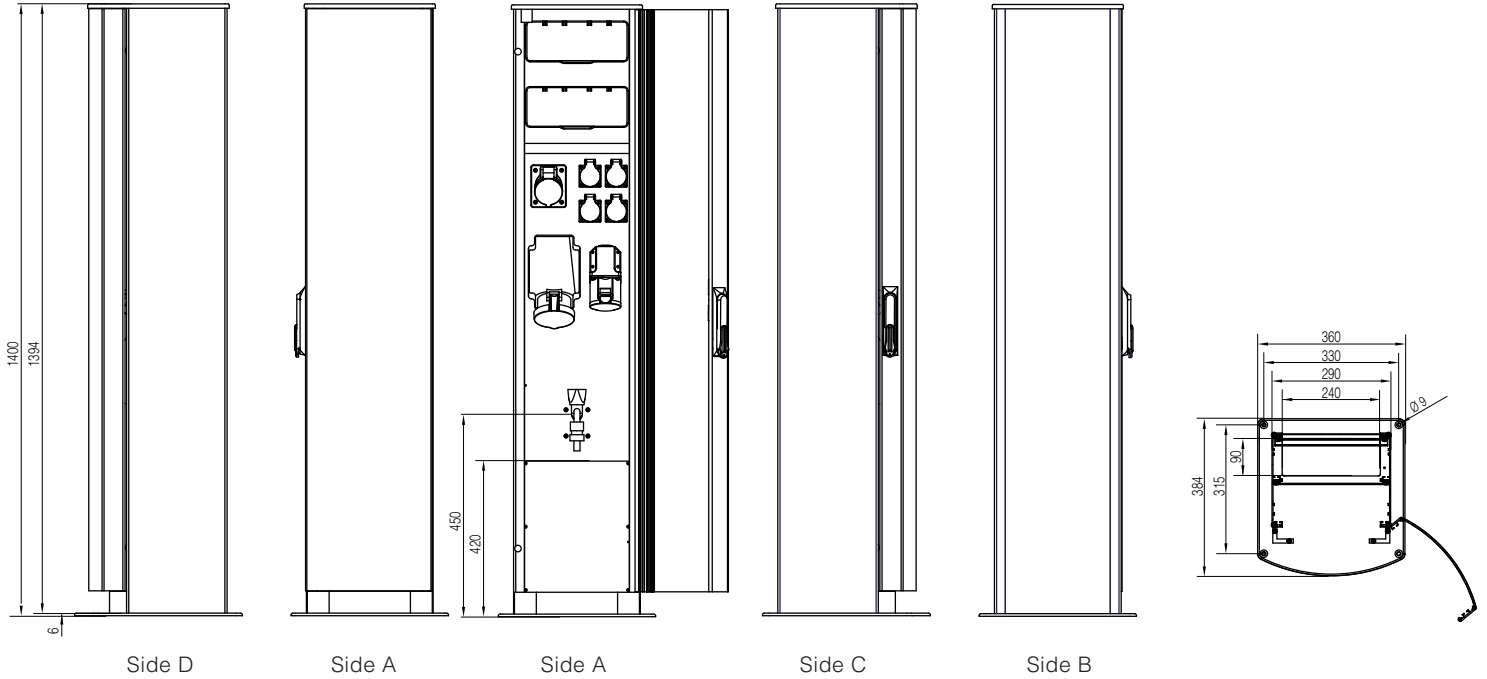
**TECHNICAL DATA**

| | |
|-------------------------|-------------------------------------------------------------------------------------------------------------------------------------------------------------------------------------------------------------------------------------------------------------------------------------|
| Dimensions: | 290x314x1400mm (WxDxH) |
| Ingress protection: | IP44 |
| Protection class: | I |
| Material: | Aluminum, anodized E6/EV1 |
| Color: | anthracite |
| Equipment: | 4 x Protective contact socket 16A 2P+E 230V 1 x CEE 16A 5P 400V 1 x CEE 32A 5P 400V 1 x CEE 63A 5P 400V 4 x MCB 16A C 1P 1 x MCB 16A C 3P 1 x MCB 32A C 3P 2 x MCB 63A C 3P 1 x RCD 63/0,03A 4P 1 x RCD 63/0,3A 4P 1 x Drinking water connection 1/2" |
| Other installations: | Heating device 20W 120-240V |
| max. back-up fuse: | 100A |
| Power supply terminals: | 5x35qmm |
| Weight: | approx. 24kg |



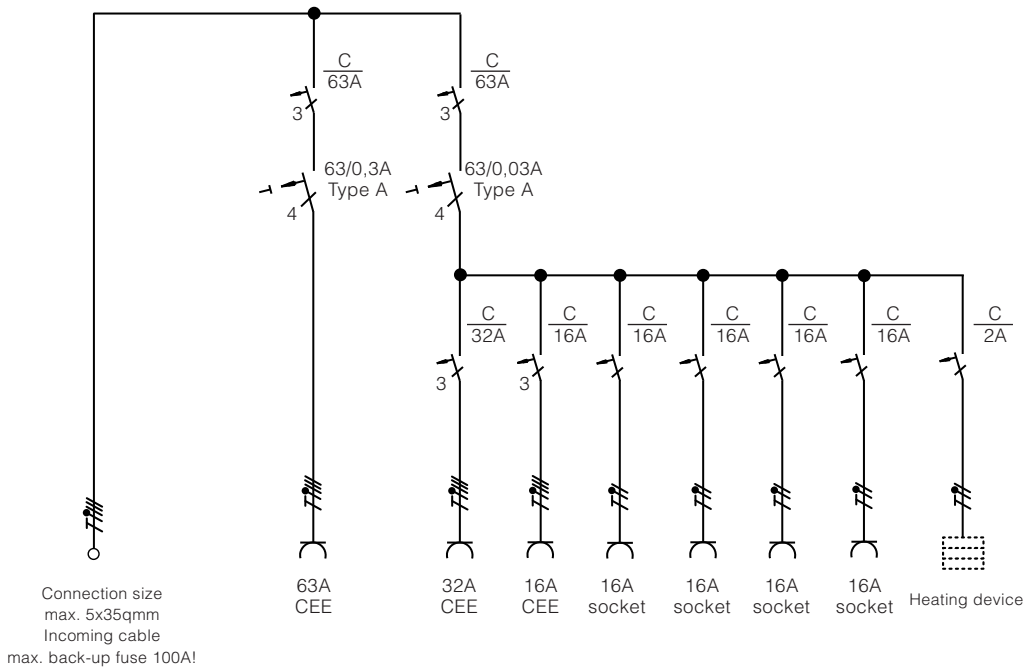
PRODUCT DATA SHEET
 PAGE 2/2

DIMENSIONS



All dimensions in millimeters.

WIRING DIAGRAM



Modifications and errors excepted. No liability accepted for printing errors.
 Our terms of delivery and payment apply.