

**PRODUCT DATA SHEET**

PAGE 1/2

MS290 Electrical connection column

Item no. MG80805089C

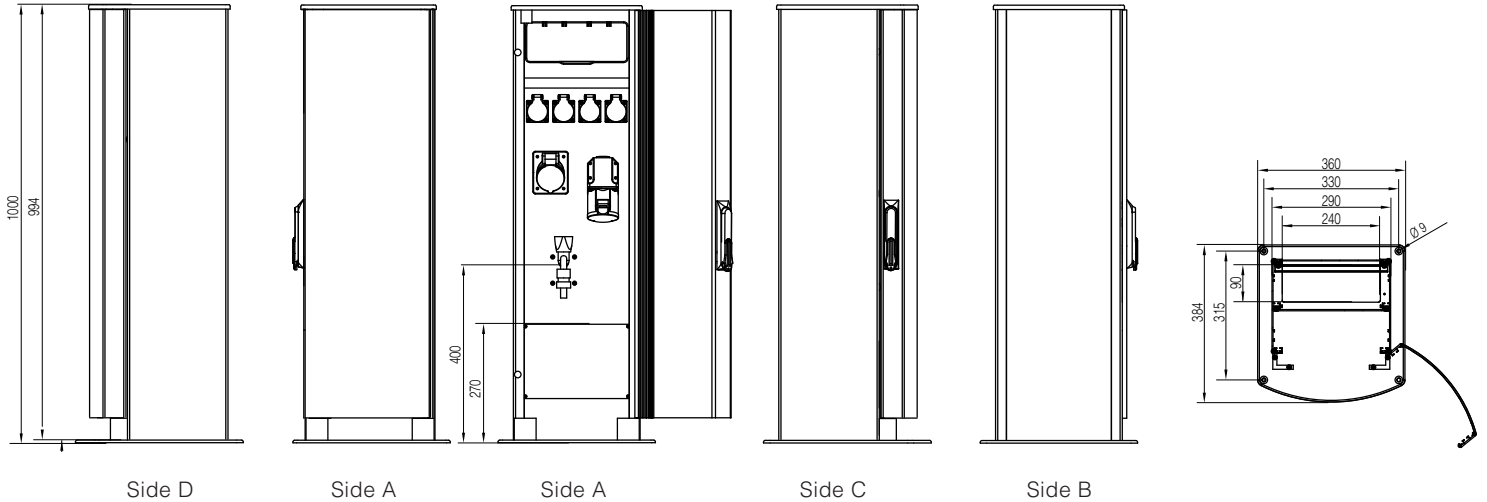
**TECHNICAL DATA**

Dimensions:	290x314x1000mm (WxDxH)
Ingress protection:	IP44
Protection class:	I
Material:	Aluminum, anodized E6/EV1
Color:	anthracite
Equipment:	4 x Protective contact socket 16A 2P+E 230V 1 x CEE 16A 5P 400V 1 x CEE 32A 5P 400V 2 x MCB 16A C 1P 1 x MCB 16A C 3P 1 x MCB 32A C 3P 1 x RCD 63/0,03A 4P 1x Drinking water connection 1/2"
Other installations:	Heating device 20W 120-240V
max. back-up fuse:	63A
Power supply terminals:	5x16qmm
Light module:	LED Orientation light - with inserted LED light strip, water resistant shed - LED driver 24V - pre-wired on connection clamps 2x2x2,5qmm
Weight:	approx. 22kg



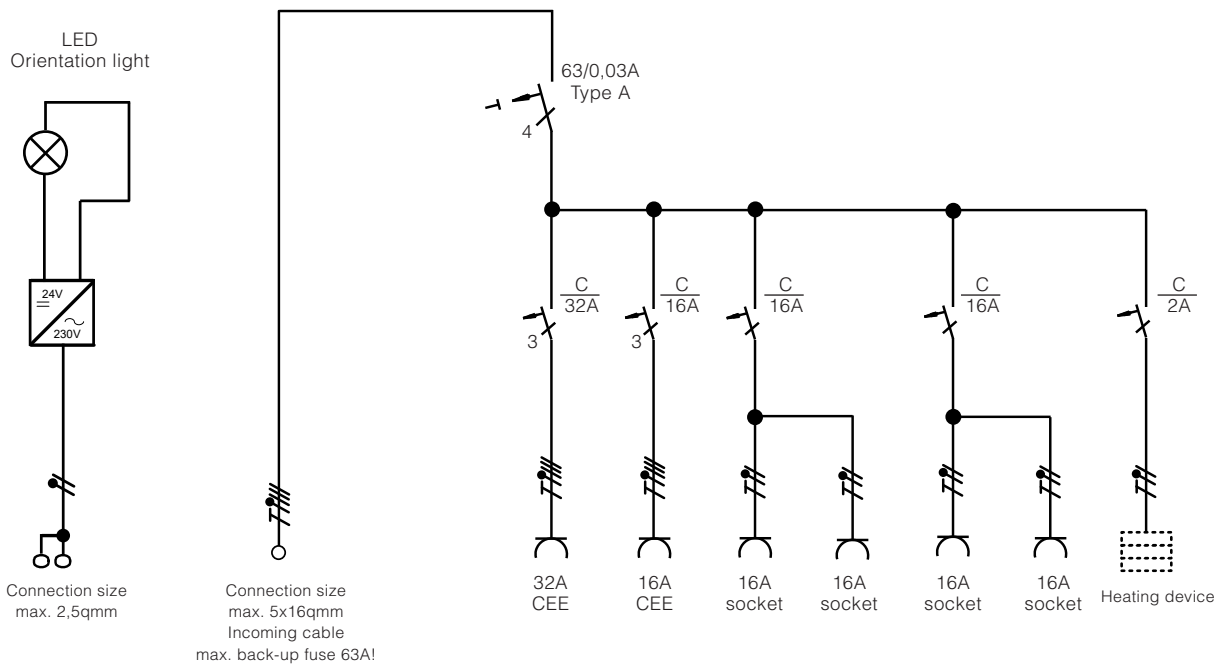
PRODUCT DATA SHEET
 PAGE 2/2

DIMENSIONS



All dimensions in millimeters.

WIRING DIAGRAM



Modifications and errors excepted. No liability accepted for printing errors.
 Our terms of delivery and payment apply.