



PRODUCT DATA SHEET

PAGE 1/2

MS18 Electrical connection column

Item no. MD60806007



TECHNICAL DATA

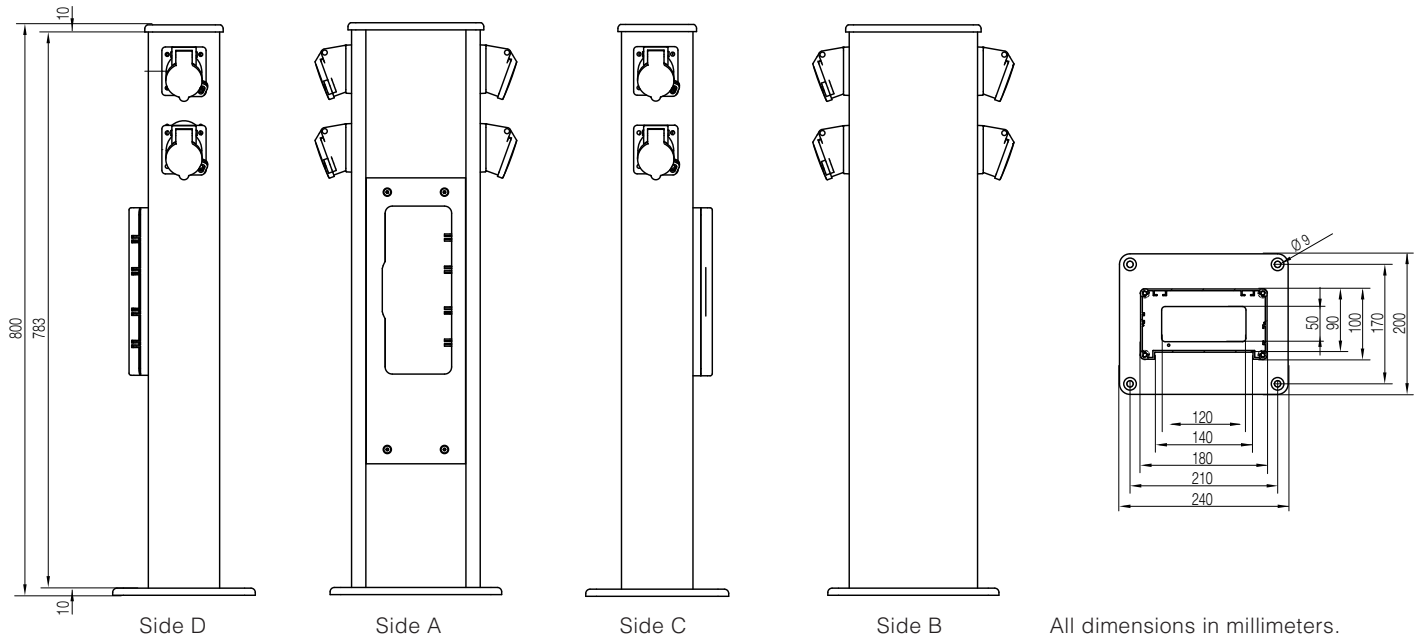
Dimensions:	180x100x800mm (WxDxH)
Ingress protection:	IP44
Protection class:	I
Material:	Aluminum, anodized E6/EV1
Color:	silver
Equipment:	4 x CEE 16A 3P 230V 4 x Single phase energy meter 4 x RCBO 16/0,03A C 1P+N
max. back-up fuse:	32A
Power supply terminals:	5x10qmm
Weight:	approx. 9kg



PRODUCT DATA SHEET

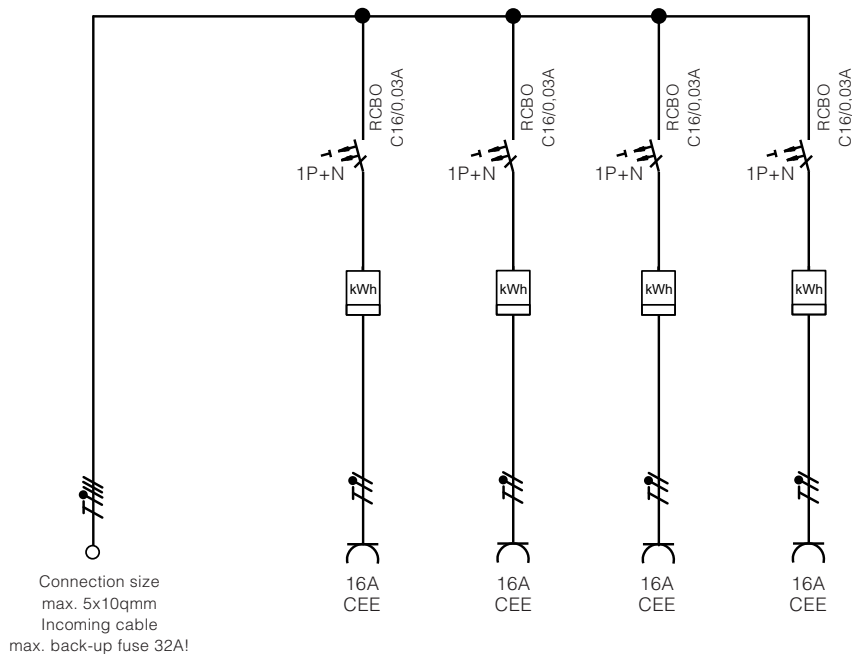
PAGE 2/2

DIMENSIONS



All dimensions in millimeters.

WIRING DIAGRAM



Modifications and errors excepted. No liability accepted for printing errors.
Our terms of delivery and payment apply.