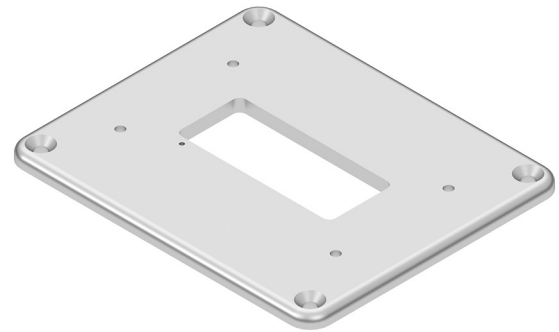




PRODUCT DATA SHEET

PAGE 1/1

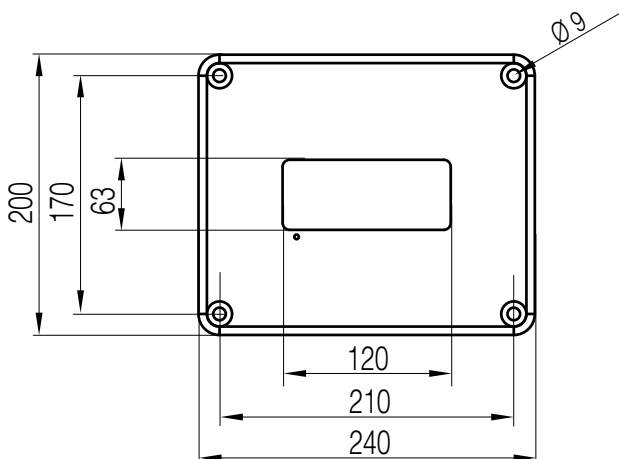
MS18 Base plate
Item no. MD10100002



TECHNICAL DATA

Dimensions:	240x200x10mm (WxDxH)
Material:	Aluminum, anodized E6/EV1
Color:	silver
Mounting material:	4 x Screw M6x30 A2 (for fastening the base plate to the column profile) 4 x Chipboard screw M8x60 A2 4 x Dowel S12
Weight:	approx. 1,1kg

DIMENSIONS



All dimensions in millimeters.

Modifications and errors excepted. No liability accepted for printing errors.
Our terms of delivery and payment apply.