



## PRODUCT DATA SHEET

PAGE 1/2

MS15 Electrical connection column

Item no. MC60300103



### TECHNICAL DATA

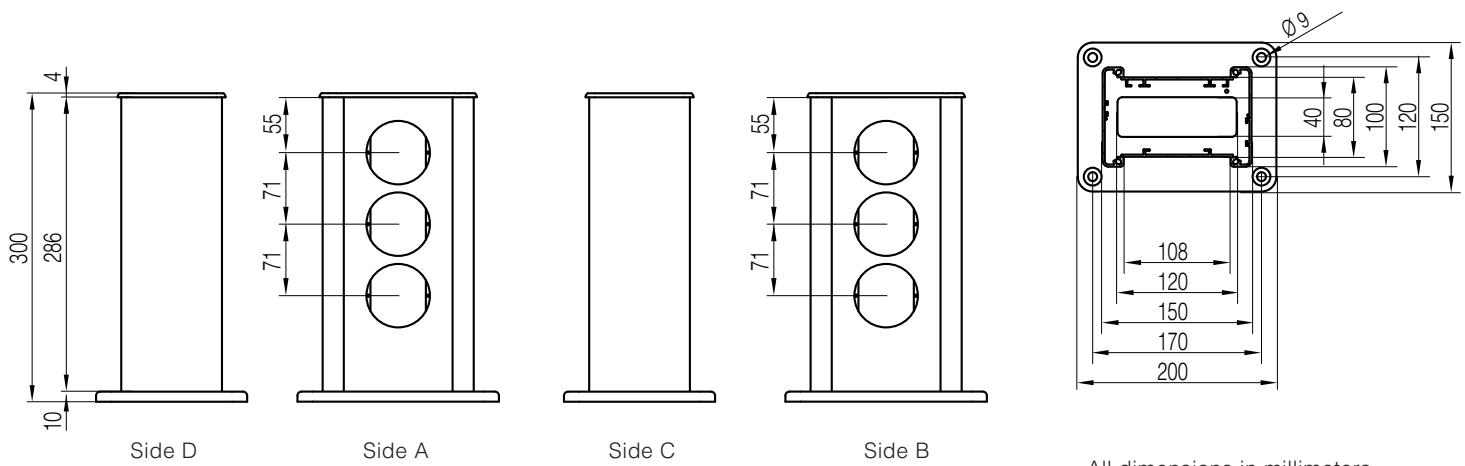
Dimensions:	150x100x300mm (WxDxH)
Ingress protection:	IPX0/IPX4 (depending to used installation devices)
Protection class:	I
Material:	Aluminum, anodized E6/EV1
Color:	silver
Hole patterns:	Side A: 3 x Hole pattern no. 1.1 for standard devices for triple frame Side B: 3 x Hole pattern no. 1.1 for standard devices for triple frame
Weight:	approx. 2,2kg



## PRODUCT DATA SHEET

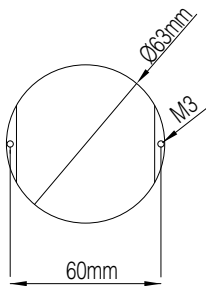
PAGE 2/2

### DIMENSIONS



All dimensions in millimeters.

### HOLE PATTERN



Modifications and errors excepted. No liability accepted for printing errors.  
Our terms of delivery and payment apply.