

**PRODUCT DATA SHEET**

PAGE 1/2

MS15 Electrical connection column

Item no. MC60300101

**TECHNICAL DATA**

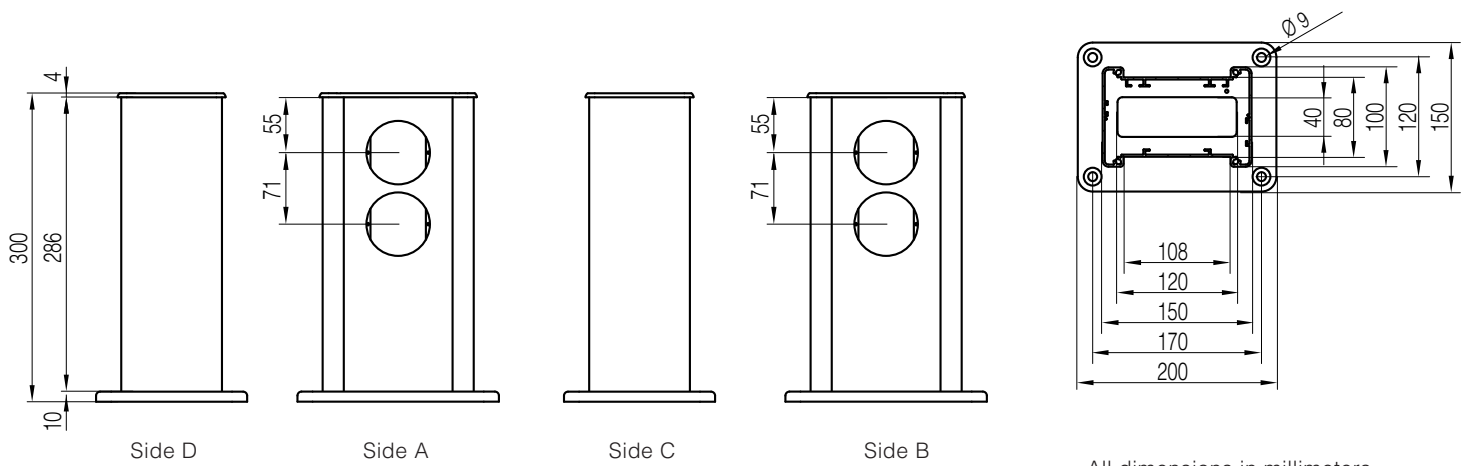
Dimensions:	150x100x300mm (WxDxH)
Ingress protection:	IPX0/IPX4 (depending to used installation devices)
Protection class:	I
Material:	Aluminum, anodized E6/EV1
Color:	silver
Hole patterns:	Side A: 2 x Hole pattern no. 1.1 for standard devices for double frame Side B: 2 x Hole pattern no. 1.1 for standard devices for double frame
Weight:	approx. 2,2kg



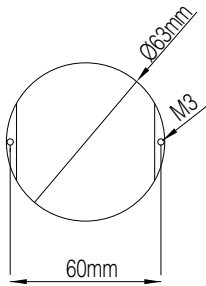
PRODUCT DATA SHEET

PAGE 2/2

DIMENSIONS



HOLE PATTERN



Modifications and errors excepted. No liability accepted for printing errors.
Our terms of delivery and payment apply.