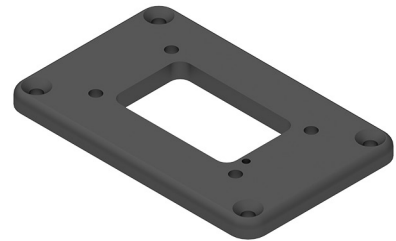




PRODUCT DATA SHEET

PAGE 1/1

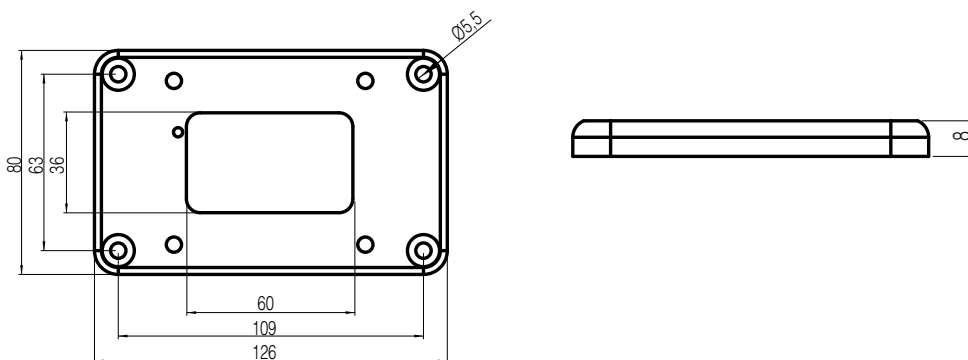
MS10 Base plate
Item no. MB10080008C



TECHNICAL DATA

Dimensions:	120x80x8mm (WxDxH)
Material:	Aluminum, anodized E6/EV1
Color:	anthracite
Mounting material:	4 x Screw M5x25 A2 (for fastening the base plate to the column profile) 4 x Chipboard screw M5x40 A2 4 x Dowel S6
Weight:	approx. 0,2kg

DIMENSIONS



All dimensions in millimeters.