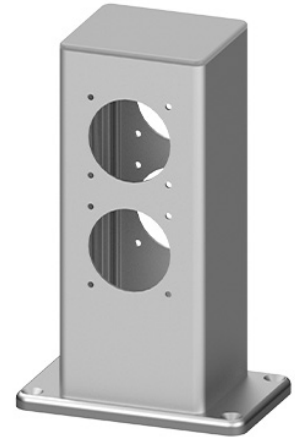


**PRODUCT DATA SHEET**

PAGE 1/2

MS08 Electrical connection column
item no. MA50200002**TECHNICAL DATA**

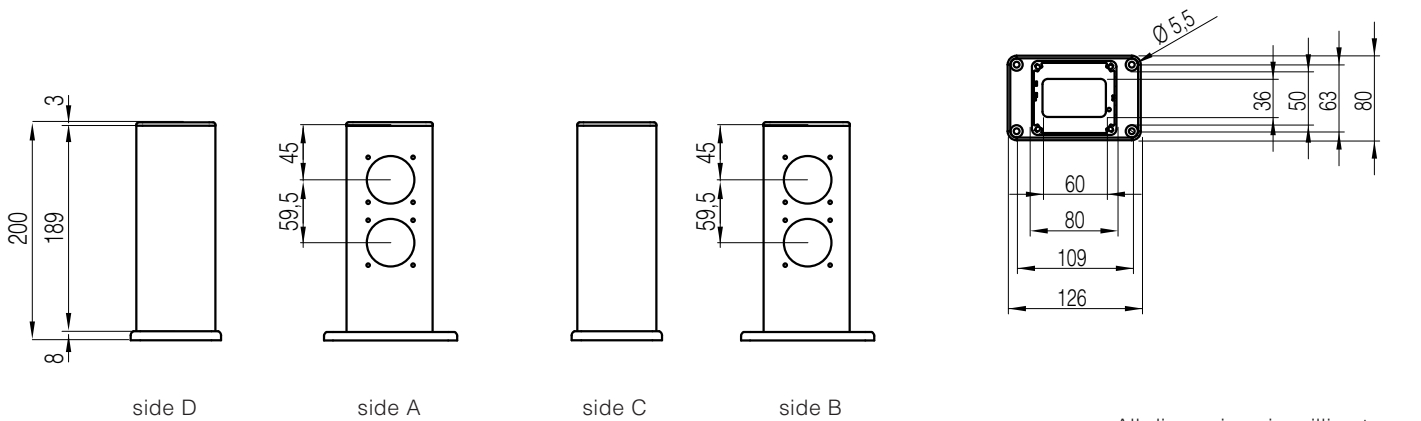
Dimensions:	80x70x200mm (WxDxH)
Ingress protection:	IPX0
Protection class:	I
Material:	Aluminum, anodized E6/EV1
Color:	silver
Hole patterns:	Side A: 2 x Hole pattern no. 7 for installation material BERKER INTEGRO for double frame Side B: 2 x Hole pattern no. 7 for installation material BERKER INTEGRO for double frame
Weight:	approx. 0,5kg



PRODUCT DATA SHEET

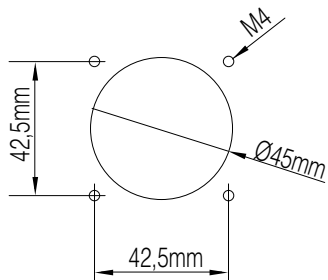
PAGE 2/2

DIMENSIONS



All dimensions in millimeters.

HOLE PATTERN



Modifications and errors excepted. No liability accepted for printing errors.
Our terms of delivery and payment apply.