

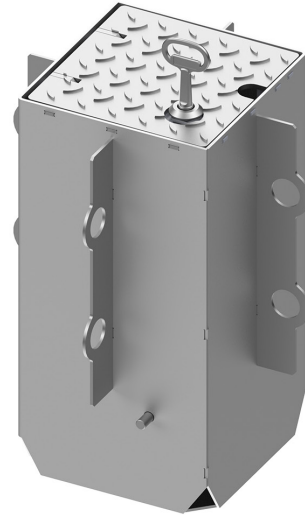


## PRODUCT DATA SHEET

PAGE 1/2

SEK20 - compact underfloor distributor

Item no. M5062000003



### TECHNICAL DATA

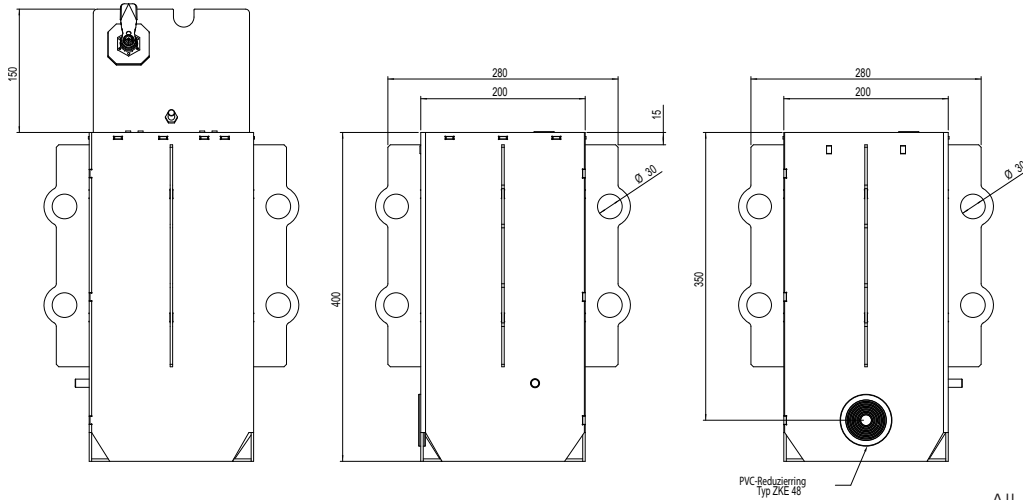
Dimensions:	200x200x400mm (LxWxD)
Installation depth:	400mm
Dimensions visible cover:	187x190mm (LxW)
Load capacity:	25t DIN EN 124 - C250
Material:	V2A stainless steel (1.4301)
Interlocking:	by sash lock (square)
Drainage:	via four recesses in the lower part of the housing
Ingress protection:	depending on the socket coupling
Protection class:	I
Equipment:	Empty housing, without equipment
Weight:	approx. 15kg



## PRODUCT DATA SHEET

PAGE 2/2

### DIMENSIONS



All dimensions in millimeters.

Modifications and errors excepted. No liability accepted for printing errors.  
Our terms of delivery and payment apply.