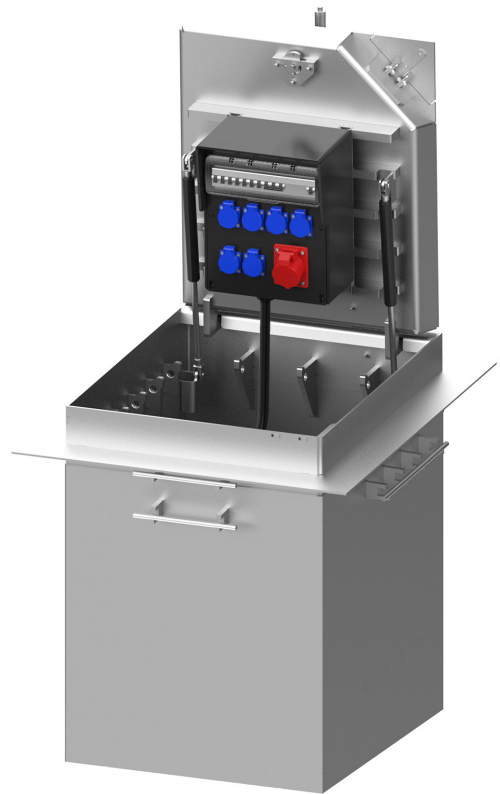


**PRODUCT DATA SHEET**

PAGE 1/2

SEK70 - Underfloor distributor with hinged cover

Item no. M5047400343

**TECHNICAL DATA**

Dimensions:	950x798x900mm (LxWxD)
Installation depth:	900mm
Dimensions visible cover:	762x610mm (LxW)
Load capacity:	40t DIN EN 124 - D400
Material:	V2A stainless steel (1.4301)
Interlocking:	via locking system incl. actuation key
Drainage:	on site through pipe socket Ø108mm to the local sewerage system
Ingress protection:	IP54
Protection class:	I
Equipment:	6 x Protective contact socket 16A 2P+E 230V 1 x CEE 16A 5P 400V 6 x MCB 16A C 1P 1 x MCB 16A C 3P 1 x RCD 63/0,03A 4P (additionally: 1 x MCB 6A B 1P for the heating - optionally available) 1 x Drinking water connection 3/4"
max. back-up fuse:	50A
Power supply terminals:	5x25qmm
Weight:	approx. 220kg



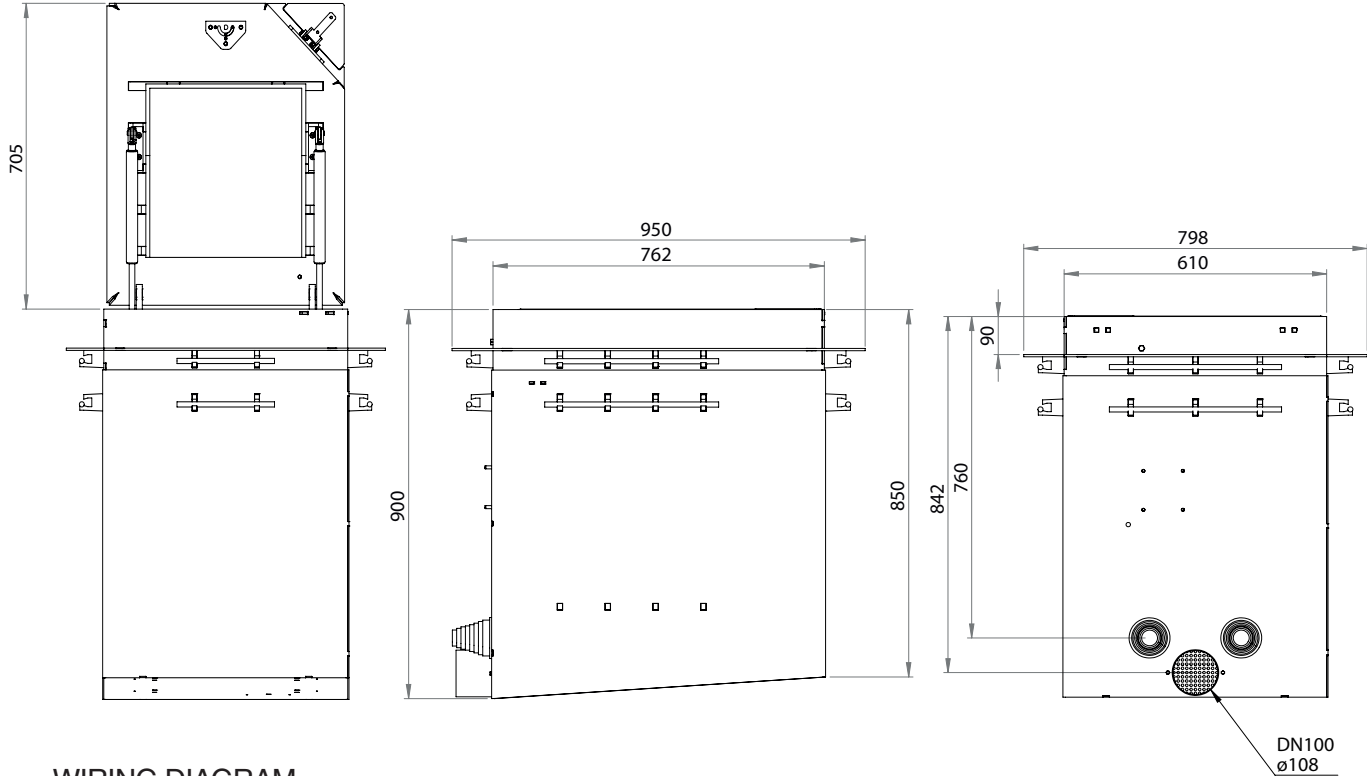
# MOSER SYSTEMELEKTRIK GMBH

CONNECTION COLUMNS ENERGY BOLLARDS  
UNDERGROUND DISTRIBUTORS STANDING CABINETS  
KERNERSTRASSE 15 74405 GAILDORF GERMANY

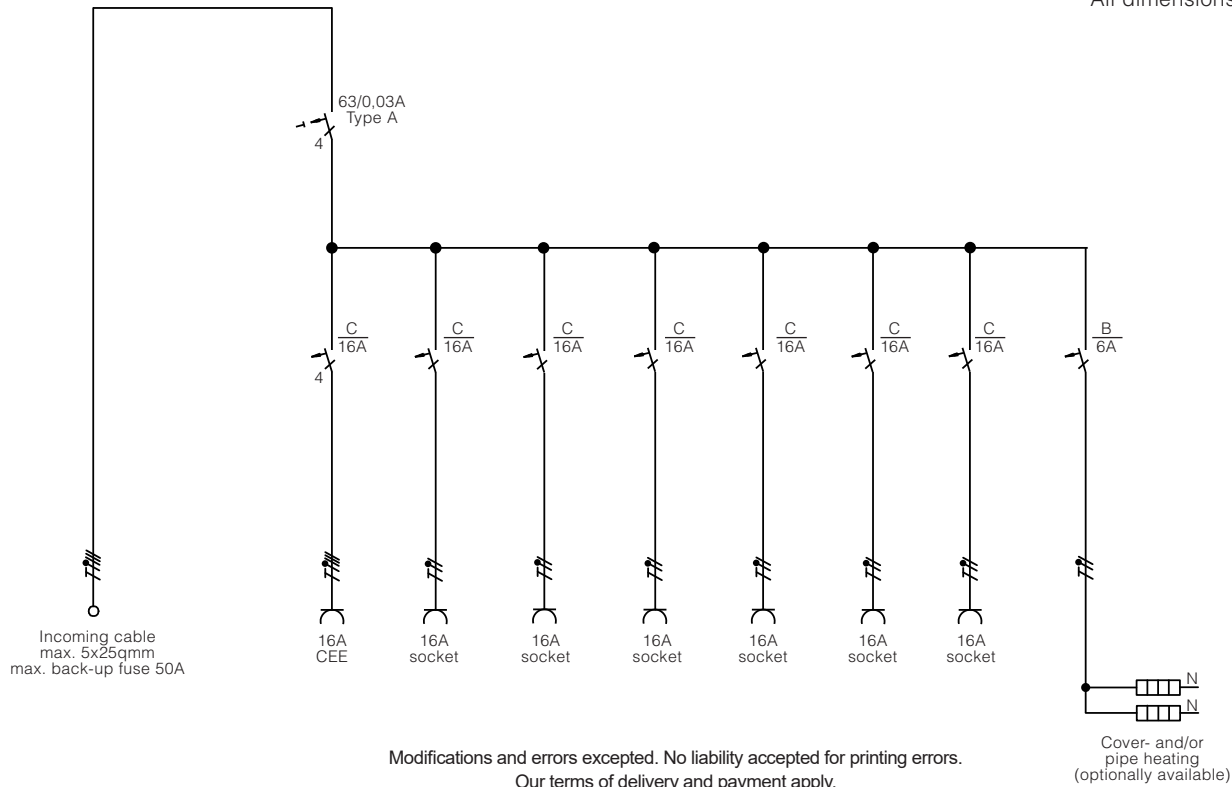
## PRODUCT DATA SHEET

PAGE 2/2

### DIMENSIONS



### WIRING DIAGRAM



All dimensions in millimeters.

Modifications and errors excepted. No liability accepted for printing errors.  
Our terms of delivery and payment apply.