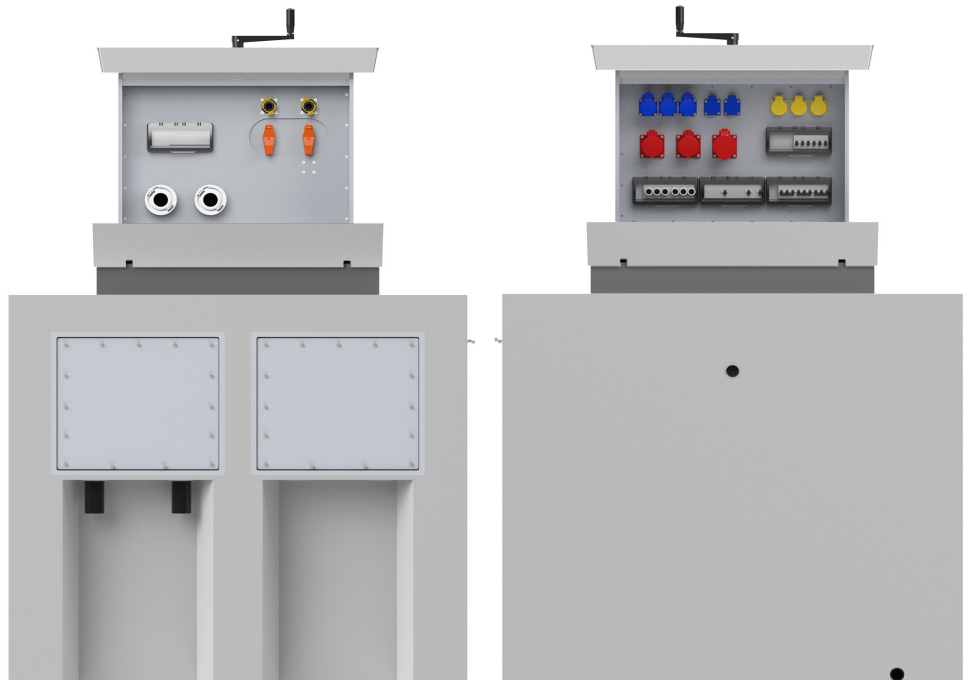


**PRODUCT DATA SHEET**

PAGE 1/2

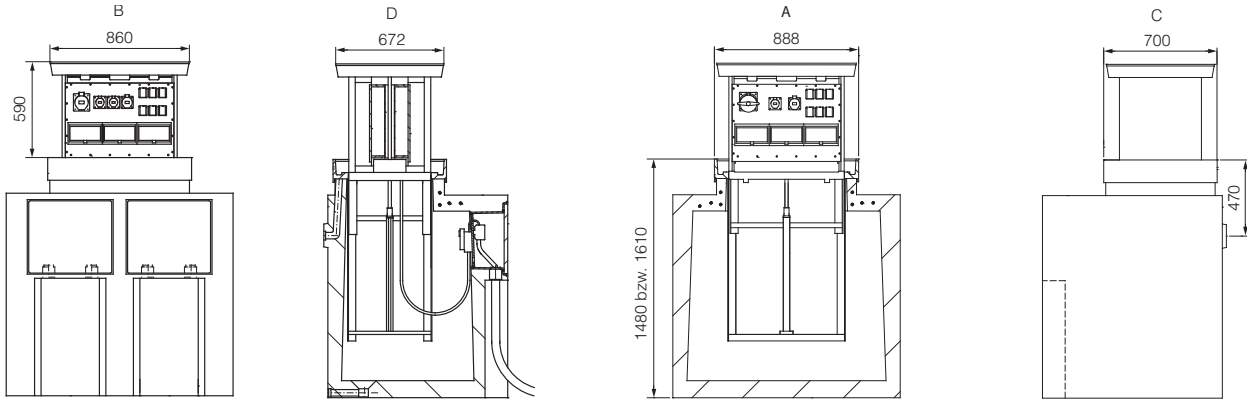
SEH80 - Retractable supply post
Item no. M5038070670**TECHNICAL DATA**

Dimensions:	1350x1400x1110mm (HxWxL)
Installation depth:	1480mm
Extending height:	590mm
Load capacity:	25t DIN EN 124 - C250
Material:	Cast aluminum, Aluminum, PVC, Concrete
Drainage:	via integrated drainage system in concrete shaft
Heating:	Heating device 20W for Condensation reduction incl. MCB 2A C 1P
Ingress protection:	IP44: Sockets / IP54: Distribution modules
Protection class:	I
Equipment:	3 x Double data socket 2xRJ45 Cat. 6 2 x Protective contact socket 16A 2P+E 230V 3 x CEE 16A 3P 230V 1 x CEE 16A 5P 400V 2 x CEE 32A 5P 400V 5 x MCB 16A C 1P 1 x MCB 16A C 3P 2 x MCB 32A C 3P 1 x RCD 25/0,03A 2P 2 x RCD 63/0,03A 4P 2 x D02 safety device 63A 3P (back-up fuse) 1 x Three phase energy meter (over all) 2 x Drinking water connection 1" 2 x Waste water connection 2"
max. back-up fuse in the pit:	NH-000 100A
Power supply terminals:	5x95qmm
Weight:	approx. 2.700kg



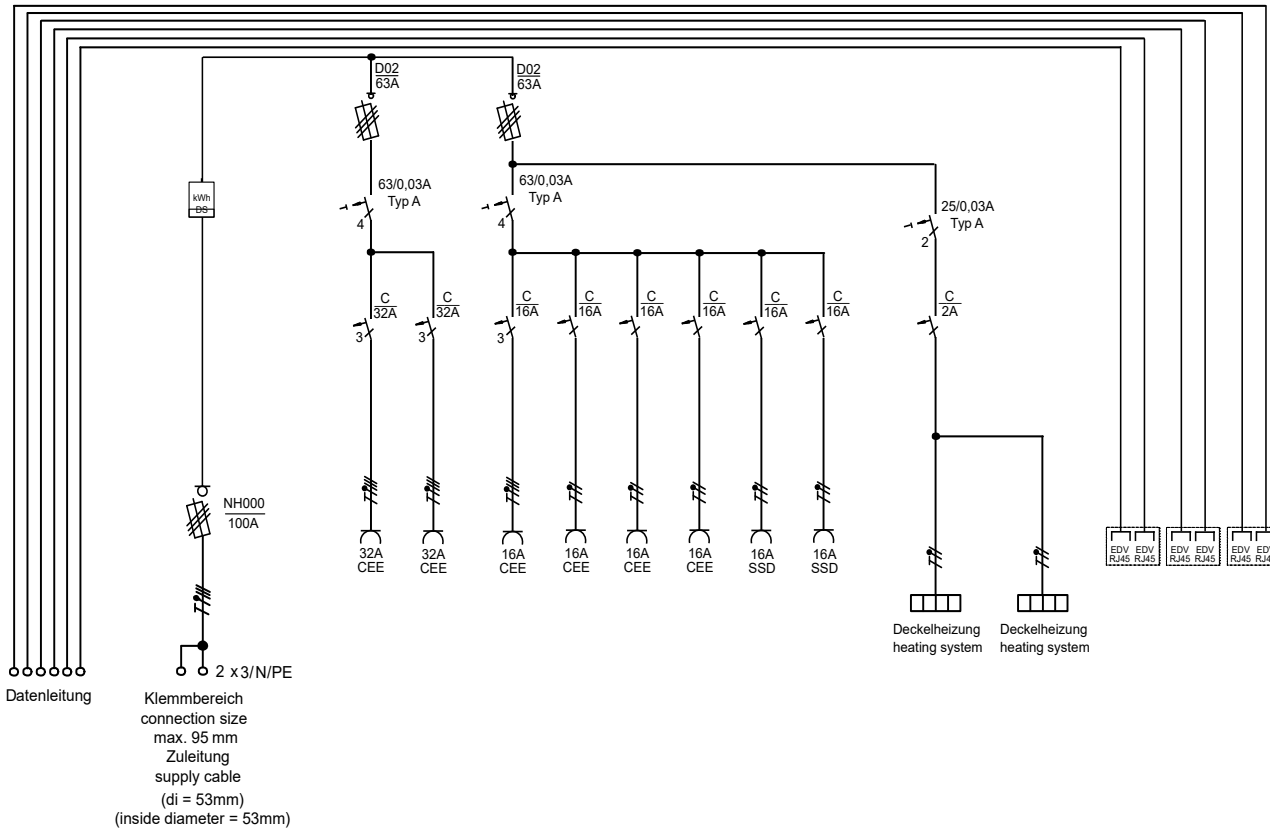
PRODUCT DATA SHEET
 PAGE 2/2

DIMENSIONS



All dimensions in millimeters.

WIRING DIAGRAM



Modifications and errors excepted. No liability accepted for printing errors.
 Our terms of delivery and payment apply.