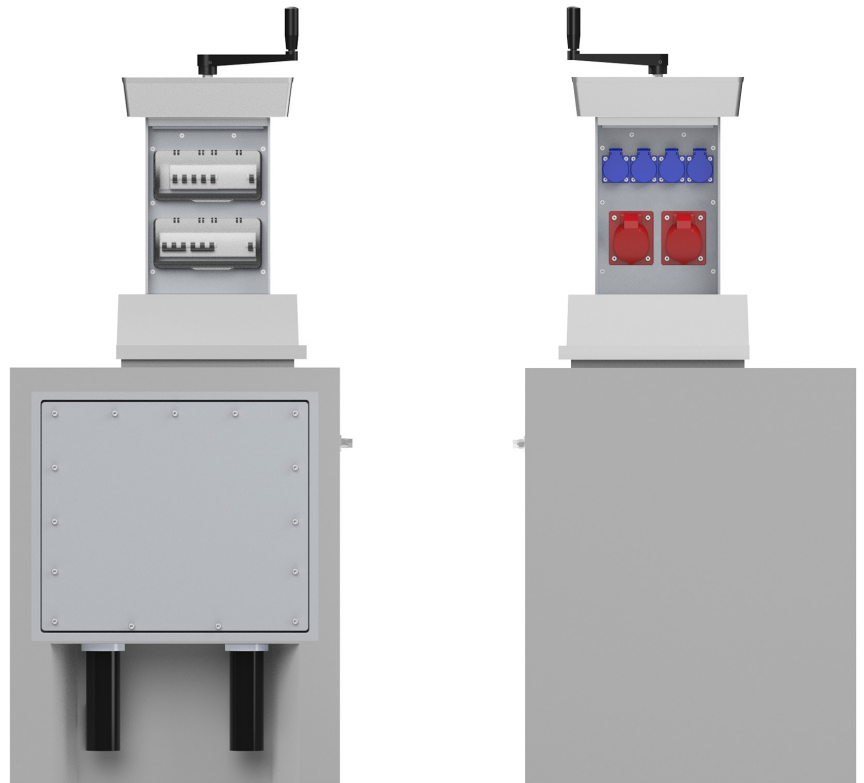


**PRODUCT DATA SHEET**

PAGE 1/2

SE30 - Retractable supply post

Item no. M5033110510

**TECHNICAL DATA**

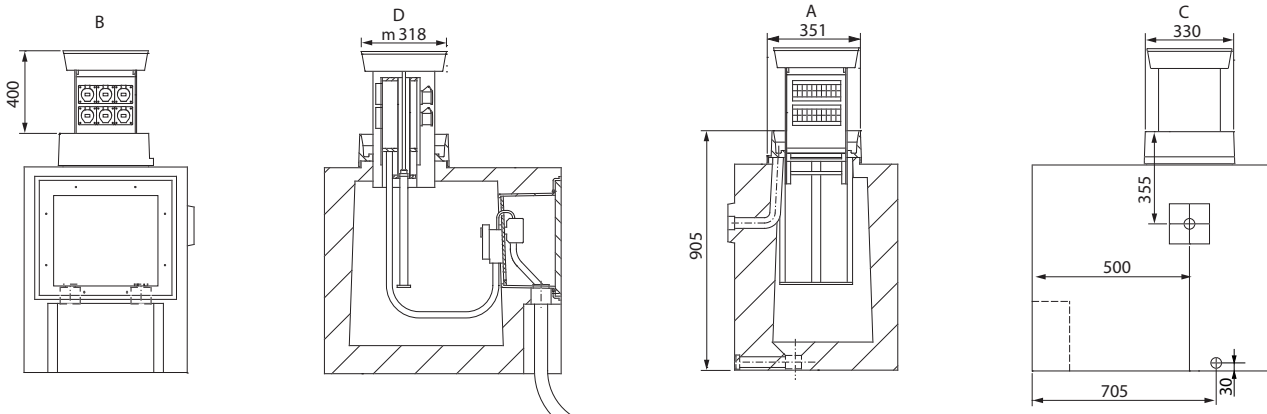
Dimensions:	795x610x885mm (HxWxL)
Installation depth:	905mm
Extending height:	400mm
Load capacity:	40t DIN EN 124 - D400
Material:	Cast aluminum, Aluminum, PVC, Concrete
Drainage:	via integrated drainage system in concrete shaft
Heating:	Heating device 20W for Condensation reduction incl. MCB 2A C 1P
Ingress protection:	IP44: Sockets / IP54: Distribution modules
Protection class:	I
Equipment:	4 x Protective contact socket 16A 2P+E 230V 2 x CEE 16A 5P 400V 4 x MCB 16A C 1P 2 x MCB 16A C 3P 2 x RCD 63/0,03A 4P
max. back-up fuse in the pit:	NH-000 50A
Power supply terminals:	5x25qmm
Weight:	approx. 630kg



PRODUCT DATA SHEET

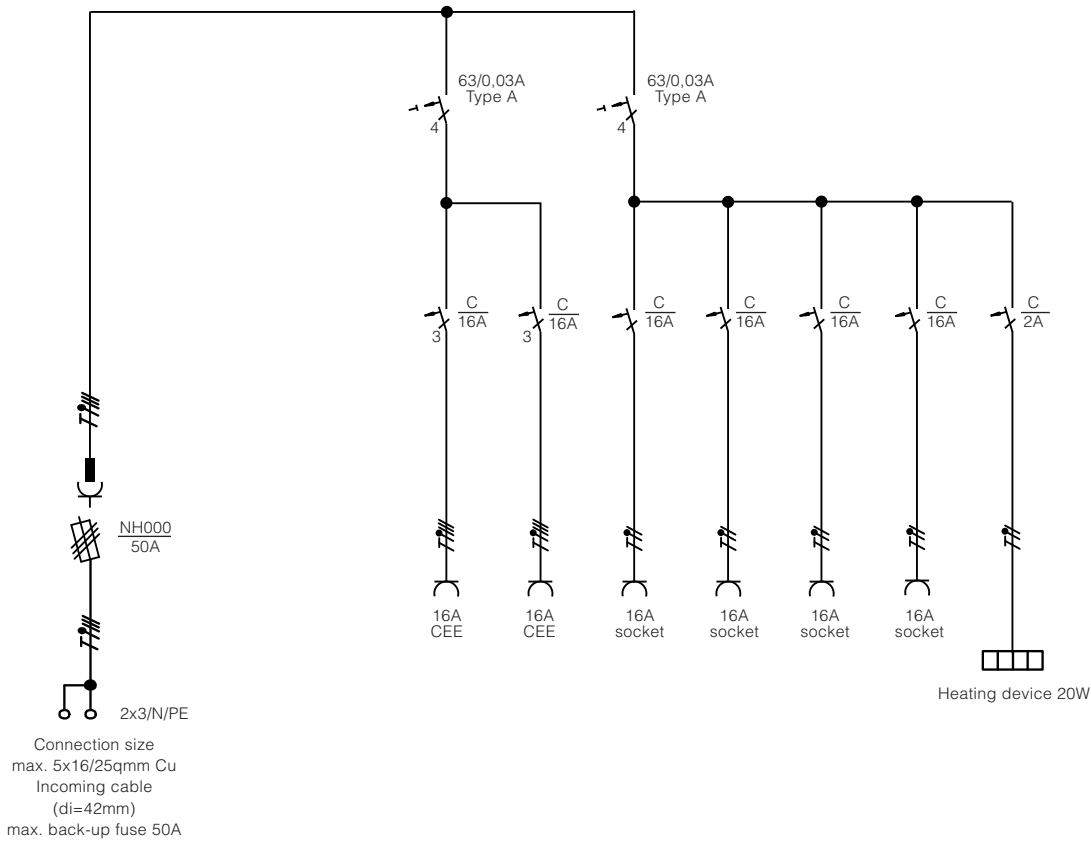
PAGE 2/2

DIMENSIONS



All dimensions in millimeters.

WIRING DIAGRAM



Modifications and errors excepted. No liability accepted for printing errors.
Our terms of delivery and payment apply.