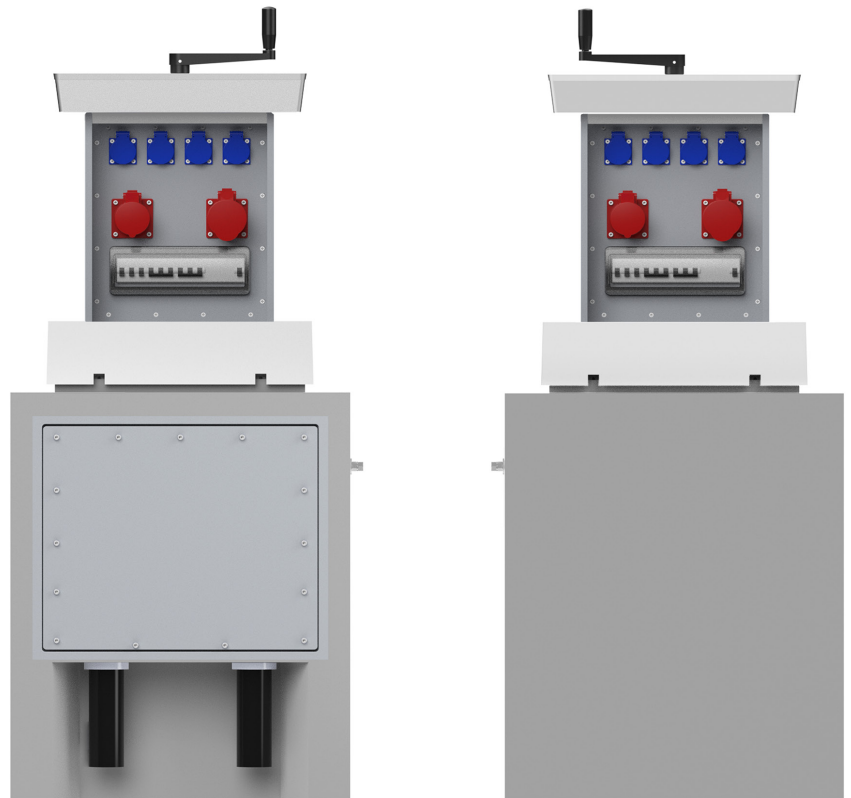


**PRODUCT DATA SHEET**

PAGE 1/2

SE50 - Retractable supply post
Item no. M5030000110**TECHNICAL DATA**

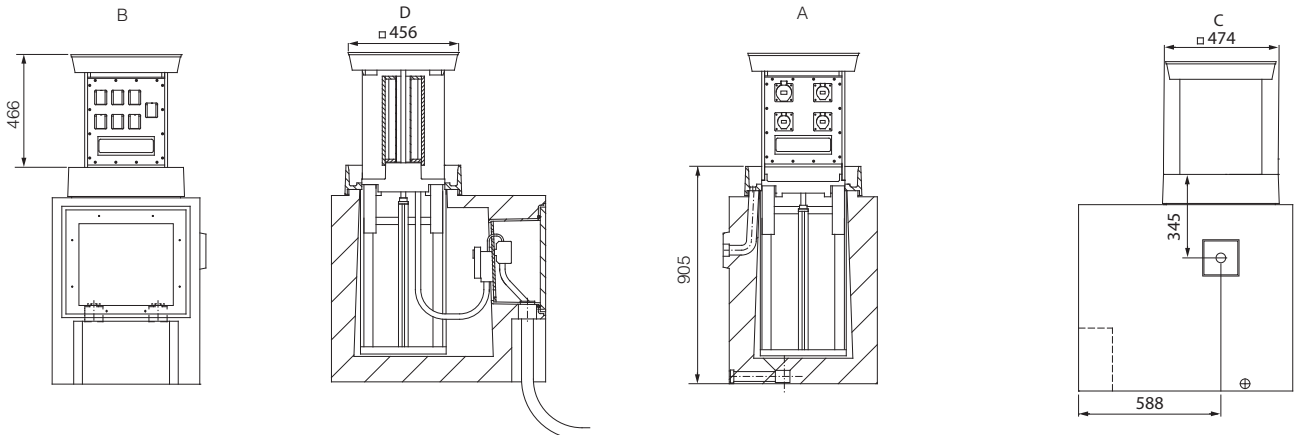
| | |
|-------------------------------|--|
| Dimensions: | 795x610x885mm (HxWxL) |
| Installation depth: | 905mm |
| Extending height: | 466mm |
| Load capacity: | 40t DIN EN 124 - D400 |
| Material: | Cast aluminum, Aluminum, PVC, Concrete |
| Drainage: | via integrated drainage system in concrete shaft |
| Heating: | Heating device 20W for Condensation reduction incl. MCB 2A C 1P |
| Ingress protection: | IP44: Sockets / IP54: Distribution modules |
| Protection class: | I |
| Equipment: | 8 x Protective contact socket 16A 2P+E 230V 2 x CEE 16A 5P 400V 2 x CEE 32A 5P 400V 5 x MCB 16A C 1P 2 x MCB 16A C 3P 2 x MCB 32A C 3P 2 x RCD 63/0,03A 4P |
| max. back-up fuse in the pit: | NH-000 63A |
| Power supply terminals: | 5x50qmm |
| Weight: | approx. 690kg |



PRODUCT DATA SHEET

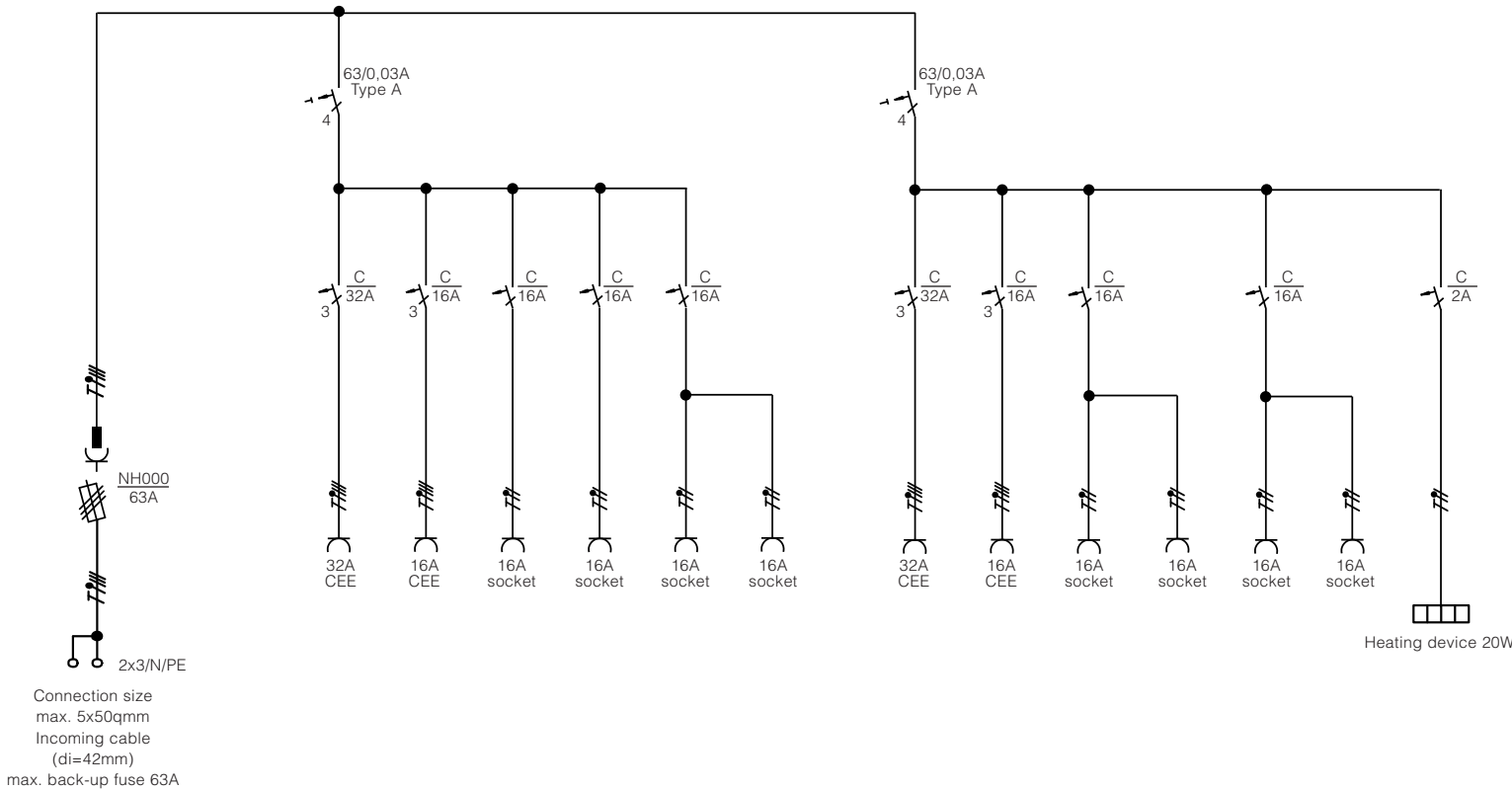
PAGE 2/2

DIMENSIONS



All dimensions in millimeters.

WIRING DIAGRAM



Modifications and errors excepted. No liability accepted for printing errors.
 Our terms of delivery and payment apply.